

深圳市色彩光电有限公司

Shenzhen LED Color Opto Electronic Co.,ltd

Factory Address 1:5th floor Dadong Ming Science and Technology Park Yuequn road Changzhen Viliage Guangming New District Shenzhen
Factory Address 2:2th floor Changxing Technology Industrial Park Chanzhen Viliage Guangming New District Shenzhen
Tel:+86-0755-27350605 Fax:+86-0755-23245913

LC8805B-2020 LED SERIES

SPECIFICIFATION

INTEGRATED LIGHT SOURCE INTELLIGENT CONTROL SMD LED

Document No.: SPC/ LC8805B-2020 LED

Model No.: LC8805B-2020

Description: 2.0x2.0x0.78mm Intelligent control SMD LED



1. General description

LC8805B-2020 is a external controlled intelligent LED with control circuit and light emitting circuit in one 2020 components. Each LED is a pixel, The pixel contains the intelligent digital interface data latch signal shaping amplifier driving circuit, power supply voltage regulator circuit, built-in constant current circuit, high precision RC oscillator, and the output driver adopts patented PWM technology, which Effectively ensure that the color of each pixel is consistent

The data protocol being used is unipolar NRZ communication mode. After the pixel power-on reset, the DIN port receive data from controller,When the frist 24-bit data is extracted by the first pixel and sent to Data latch which inside the pixel ,The remaining data is processed by the internal shaping circuit, The remaining data is shaped and amplified by the internal shaping processing circuit, and then the output is forwarded to the next cascaded pixel through the DO port. The Data transmission through each pixel, the signal will reduce 24bit , The pixel is reset after the end of DIN. Using automaticshaping forwarding technology makes the number of cascaded pixels without signal transmission, only limited by signal transmission speed.

The LED has a low driving voltage, environmental protection and energy saving,high brightness, scattering angle, good consistency, low power, and long lifespan . The control circuit is integrated in the LED ,which make Components smaller and more easier to install.

2. Applications

- Full-color module, Flexible led Strip ,Rigid led strip
- LED decorative lighting, LED Panel a variety of electronic products, electrical equipment etc

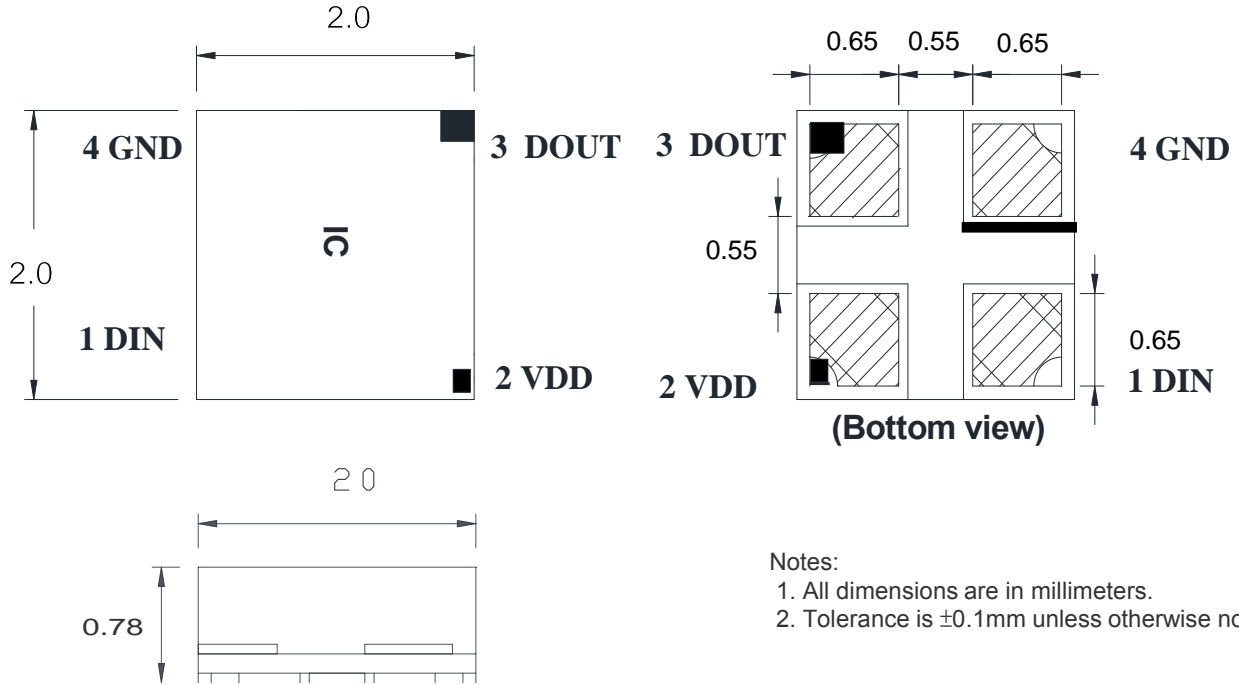
3. Main Feature

- SMD internal integrated high quality external control line serial cascade constant current IC;
- Control circuit and the RGB chip integrated in SMD 2020 components, to form a complete external control pixel, make the color mix uniformity and consistency;
- Built-in data shaping circuit, a pixel signal is received after wave shaping and output waveform distortion will not guarantee a line;
- Gray level adjusting circuit (256 level gray scale adjustable);
- Red drive special treatment, color balance;
- Single-line data transmission for unlimited cascade
- Plastic forward strengthening technology, the transmission distance between two points over 10M;
- Data transmission frequency can reach 800 Kbps, when the refresh rate of 30 frames per sec,the number of cascades is not less than 1024 points.

4. Product Naming

LC8805B-2020 mean white surface ,5ma/channel ,capacitor integrated in 2020 SMD

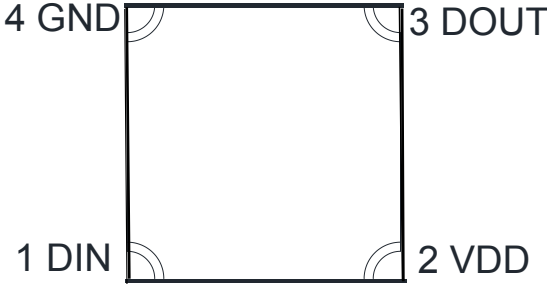
5. Mechanical Dimensions:



Notes:
1. All dimensions are in millimeters.
2. Tolerance is ± 0.1 mm unless otherwise noted

Notes:
1. All dimensions are in millimeters.
2. Tolerance is ± 0.1 mm unless otherwise noted

6. Pin Configuration:



NO.	Symbol	Function description
1	DIN	Control data signal input
2	VDD	Power supply LED
3	DOUT	Control data signal output
4	GND	Ground

深圳市色彩光电有限公司
Shenzhen LED Color Opto Electronic Co.,ltd

7. Absolute Maximum Ratings (Ta=25°C,VSS=0V) :

Parameter	Symbol	Range	Unit
Power supply voltage	VDD	+3.5~+5.5	V
Logic input voltage	V _{IN}	-0.5~VDD+0.5	V
Working temperature	T _{opt}	-40~+85	°C
Storage temperature	T _{stg}	-50~+150	°C
ESD pressure	V _{ESD}	4K	V

8. RGB LED photoelectric parameters

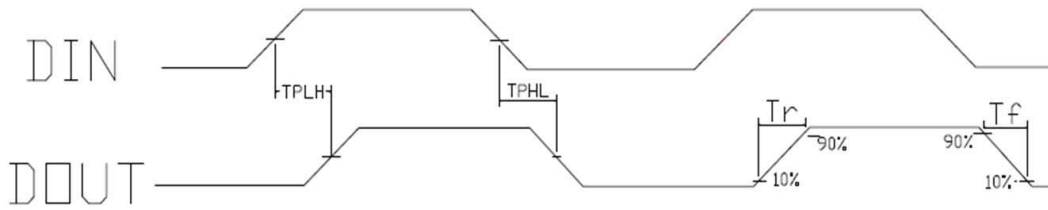
Color	LC8805B-2020 RGB LED Series		
	Wavelength	MCD	Lumen
Red	620-630nm	100-200	0.5-1.0
Green	520-535nm	400-700	2.0-3.0
Blue	460-475nm	50-100	0.2-0.5

9. The electrical parameters (unless otherwise specified, TA=-20 ~ +70 °C , VDD=4.5 ~ 5.5V,VSS=0V):

Parameter	Symbol	Min	Typical	Max	Unit	Test conditions
The chip supply Voltage	VDD	---	5.2	---	V	---
R/G/B port pressure	VDS,MAX	---	---	26	V	---
DOUT drive capability	IDOH	---	49	---	mA	DOUT connect ground, the maximum drive current
	IDOL	---	-50	---	mA	DOUT connect +, the largest current
The Signal Input flip threshold	VIH	3.4	---	---	V	VDD=5.0V
	VIL	---	---	1.6	V	
The frequency of PWM	FPWM	---	1.2	---	KHZ	---
Static power consumption	IDD	---	1	---	mA	---

10 The dynamic parameters (Ta=25 °C):

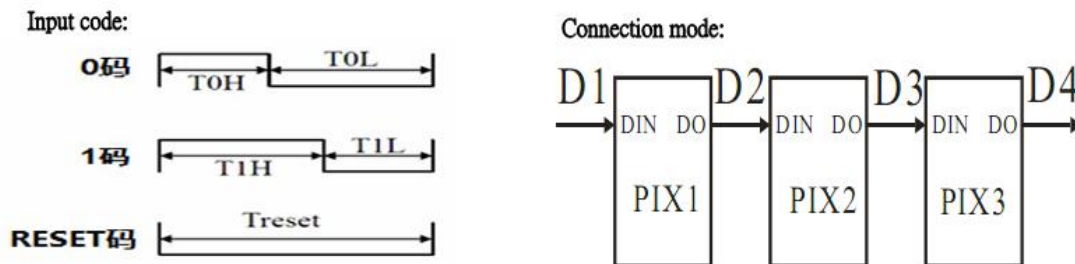
Parameter	Symbol	Min	Typical	Max	Unit	Test conditions
The speed of data transmission	FDIN	---	800	---	KHZ	The duty ratio of 67% (data 1)
DOUT transmission delay	TPLH	---	---	500	ns	DIN→DOUT
	TPHL	---	---	500	ns	
OUT Rise/Drop Time	Tr	---	100	---	ns	VDS=1.5 IOUT=13mA
	Tr	---	100	---	ns	



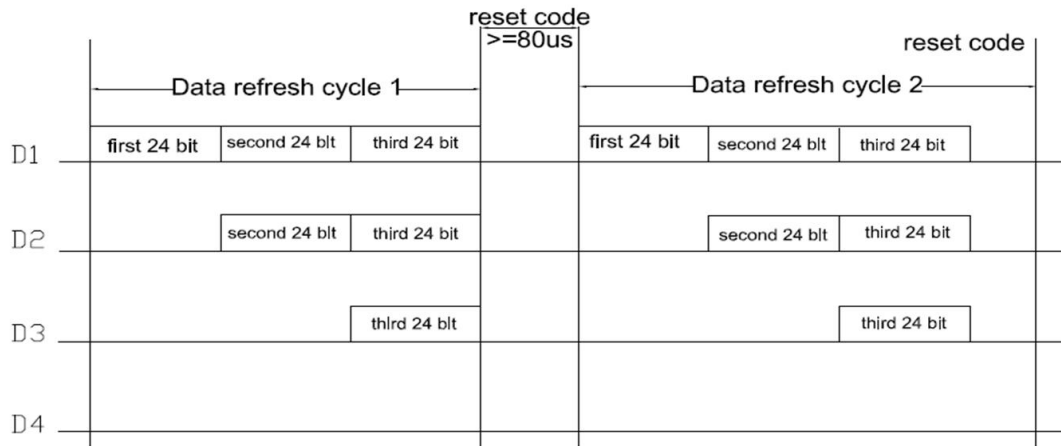
11. The data transmission time (TH+TL=1.25μs ± 600ns)

T0H	0 code, high level time	0.3μs	±0.15μs
T0L	0 code, low level time	0.9μs	±0.15μs
T1H	1 code, high level time	0.9μs	±0.15μs
T1L	1 code, low level time	0.3μs	±0.15μs
Trst	Reset code, low level time	80μs	±0.15μs

12. Timing waveform:



13. The method of data transmission:



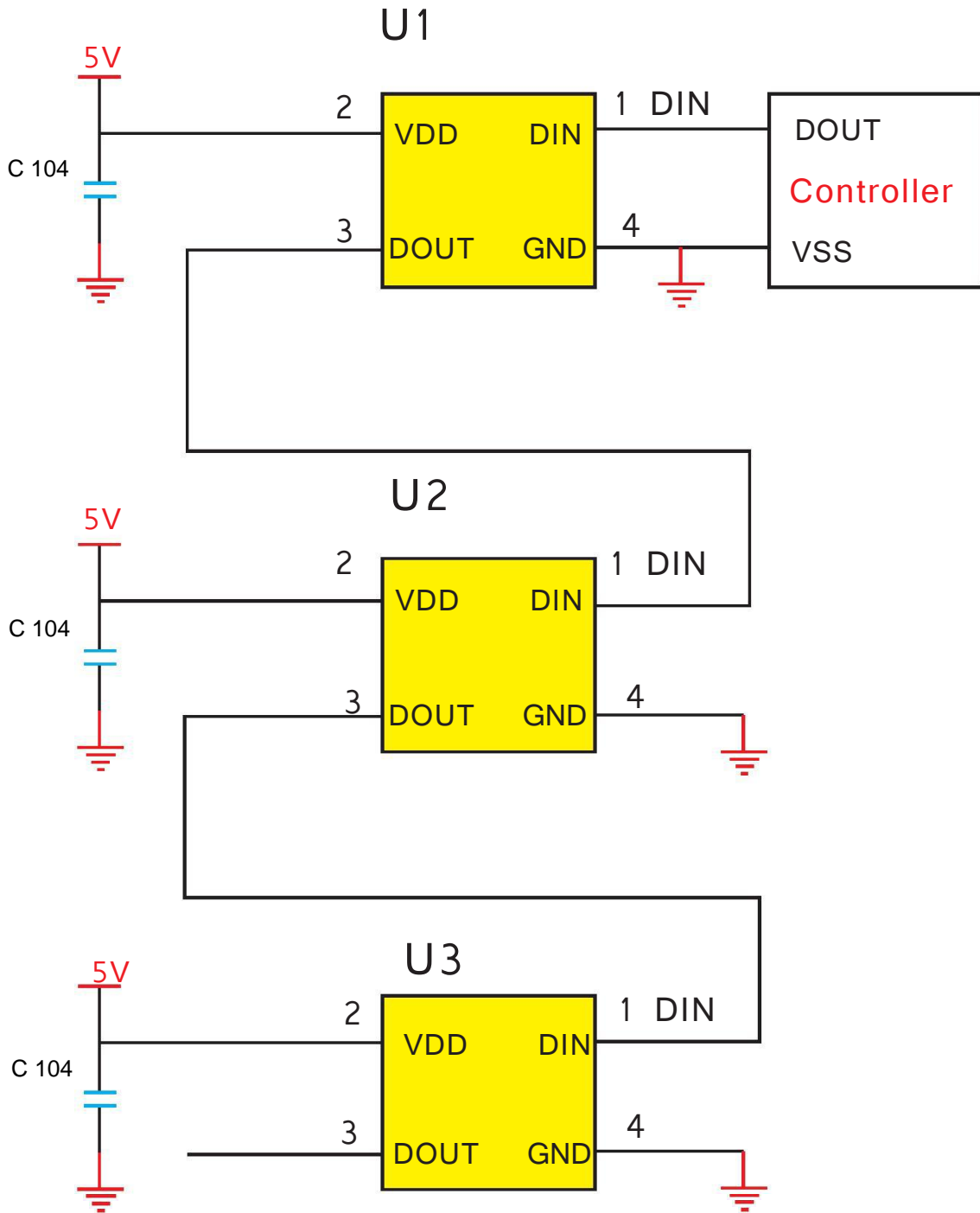
Note: the D1 sends data for MCU, D2, D3, D4 for data forwarding automatic shaping cascade circuit

14. The 24bit data Structure

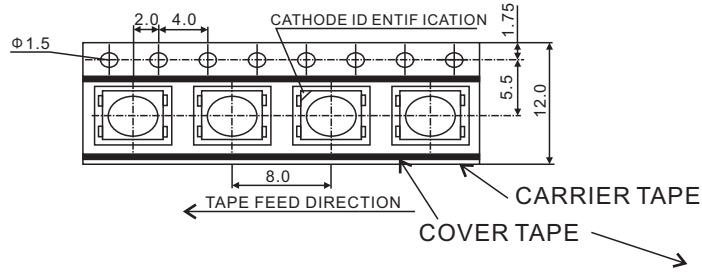
G7	G6	G5	G4	G3	G2	G1	G0	R7	R6	R5	R4
R3	R2	R1	R0	B7	B6	B5	B4	B3	B2	B1	B0

15. The typical application circuit:

LC8805B-2020

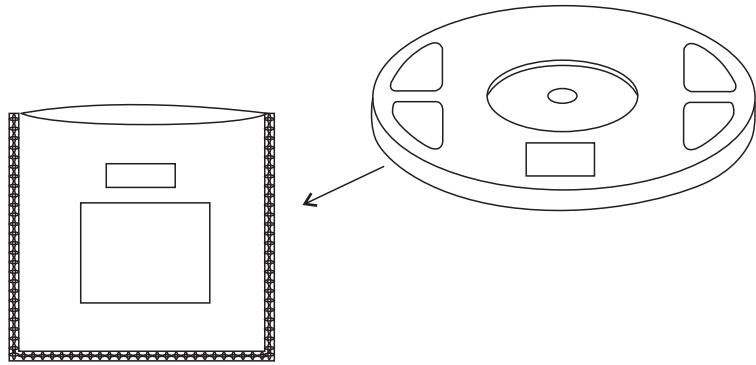


17. Packaging Standard:

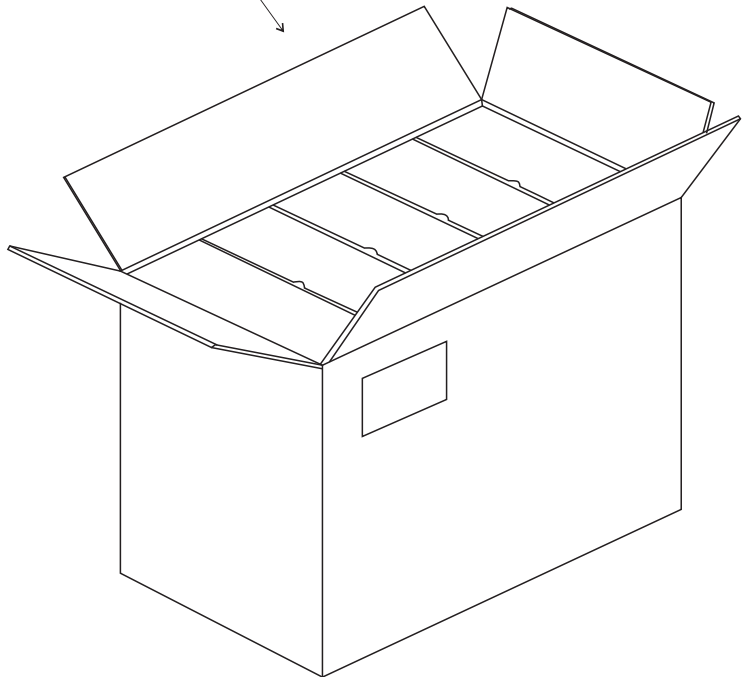


Big reel Standard is 4000pcs /reel

ESD POLYETHYLENE BAG



LABEL SKETCHING



The reel pack is applied in SMD LED. The LEDs are packed in cardboard boxes after packaging in normal or anti-electrostatic bags. cardboard boxes will be used to protect the LEDs from mechanical shocks during transportation. The boxes are not water resistant and therefore must be kept away from water and moisture.

18. Attention

18.1 Dust & Cleaning

The LED use silicone glue to package the 2020 Surface, silicone surface can protect optical properties and improved anti-aging properties. However, silicone is a softer material and prone to attract dust. While a minimal amount of dust and debris on the LED will not cause significant reduction in illumination. We still need to avoid dust falling on the LED surface. After open the bags it must be used immediately.

When you use trichloroethylene or acetone to clean, sometimes the LED surface will dissolve.

Avoid using organic solvent, it is recommended that isopropyl be used as a solvent for cleaning the LEDs. When using other solvents, it should be confirmed beforehand whether the solvents will dissolve the package and the resin or not.

Do not clean the LEDs by the ultrasonic. When it is absolutely necessary, the influence as ultrasonic cleaning on the LEDs depends on factors such as ultrasonic power. Baking time and assembled condition.

Before cleaning, a pre-test should be done to confirm whether any damage to the LEDs will occur.

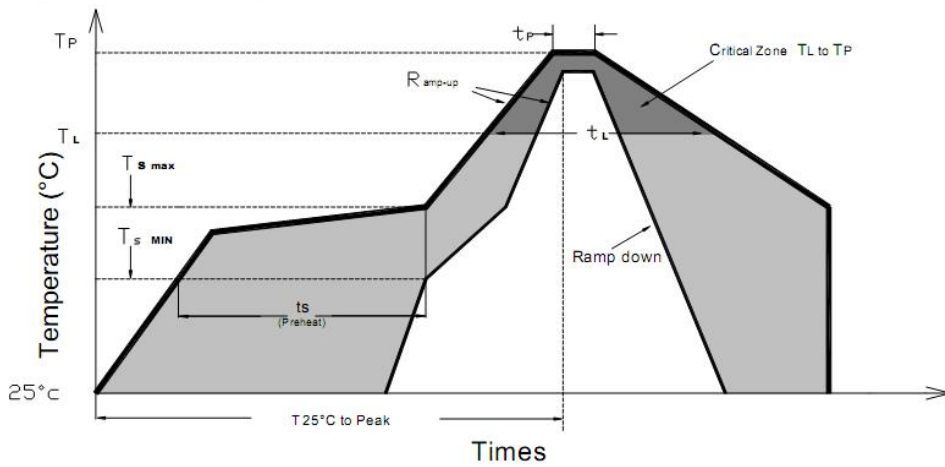
18.2 Dehumidification

LED COLOR smart led are moisture sensitive components, In IPC/JEDEC J-STD-020 MSL Level is 6. **No Matter the Package bag is open or not ,The LED must do dehumidification in the oven for 24 hours at 70 degree before use and used within 4 hours, otherwise it need to be dehumidified again**

18.3 Reflow Soldering Characteristics

In our Test, LED Color confirm those smart led are compatible with JEDEC J-STD-020C, Customers are required to follow the soldering temperature profile recommended by the solder paste manufacturer used.

Please note that this general guideline may not apply to all PCB design and reflow soldering equipment configurations.



Profile Feature	Lead-Based Solder	Lead-Free Solder
Average Ramp-Up Rate (Ts max to Tp)	3 °C/second max.	
Preheat: Temperature Min (Ts min)	100°C	150°C
Preheat: Temperature Min (Ts max)	150°C	200°C
Preheat: Time (ts min to ts max)	60-120 seconds	60-180 seconds
Time Maintained Above: Temperature (T L)	183 °C	217 °C
Time Maintained Above: Time (t L)	60-150 seconds	60-150 seconds
Peak/Classification Temperature (T P)	215 °C	238 °C
Time Within 5°C °C of Actual Peak Temperature (tp)	<10 seconds	<10 seconds
Ramp-Down Rate	6 °C/second max	6 °C/second max
Time 25 °C °C to Peak Temperature	<6 minutes max	<6 minutes max

Note: All temperatures refer to topside of the package, measured on the package body surface.

18.4. Anti-static and surge protection for IC devices

Static electricity and surges can damage the LED products of IC devices, so appropriate protective measures must be taken;

The signal input and output ports of IC devices must be connected in series with protective resistors to prevent product failure due to surge or electrostatic shock ports;

In order to protect the LED products of IC devices, whenever you encounter LEDs, wear anti-static straps, anti-static straps and anti-static gloves.

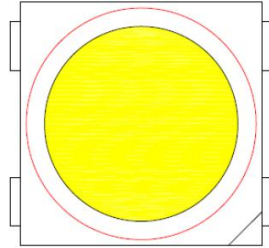
All devices and equipment must be grounded

It is recommended that each product be tested before shipment for relevant electrical tests to select defective products due to static electricity.

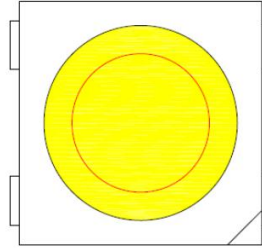
In the design of the circuit, consideration should be given to eliminating the surge to the LED

18.5 Other requirements

SMT nozzle requirements: (red circle refers to the inside diameter of the nozzle)



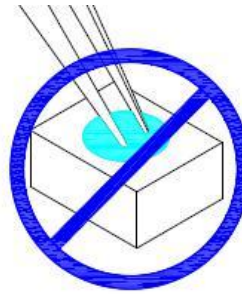
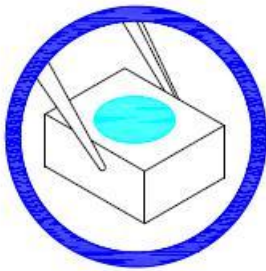
OK (the inside diameter of the nozzle is larger than the light-emitting area of the lamp)



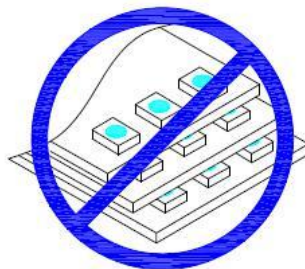
NG (the inside diameter of the nozzle is smaller than the lighting area of the lamp)

Pressing the colloid surface will affect the reliability of LED because the LED is advanced silicone-gel. And therefore precautions should be taken to avoid the strong pressure on the component. It's proper to make the LED be used in safe condition when using a suction nozzle. Silicon packing with soft and elastic, it greatly reduces thermal stresses and unable to bear external mechanical forces. Therefore, preventive measures should be taken in process of manually handling.

① Clip the LED from its side. Neither directly touch the gel surface with the hand or sharp instrument, it may damage its internal circuit.



② Not to be double stacked, it may damage its internal circuit.



- ③ Can not be stored in or applied in the acidic sites of PH<7.



Modify Records

Item NO.	Rev. No.	Modify Content Summary	Signature	Date
LC8805B-2020	01	Initial Document	Andy Zhu	2018-07-09